

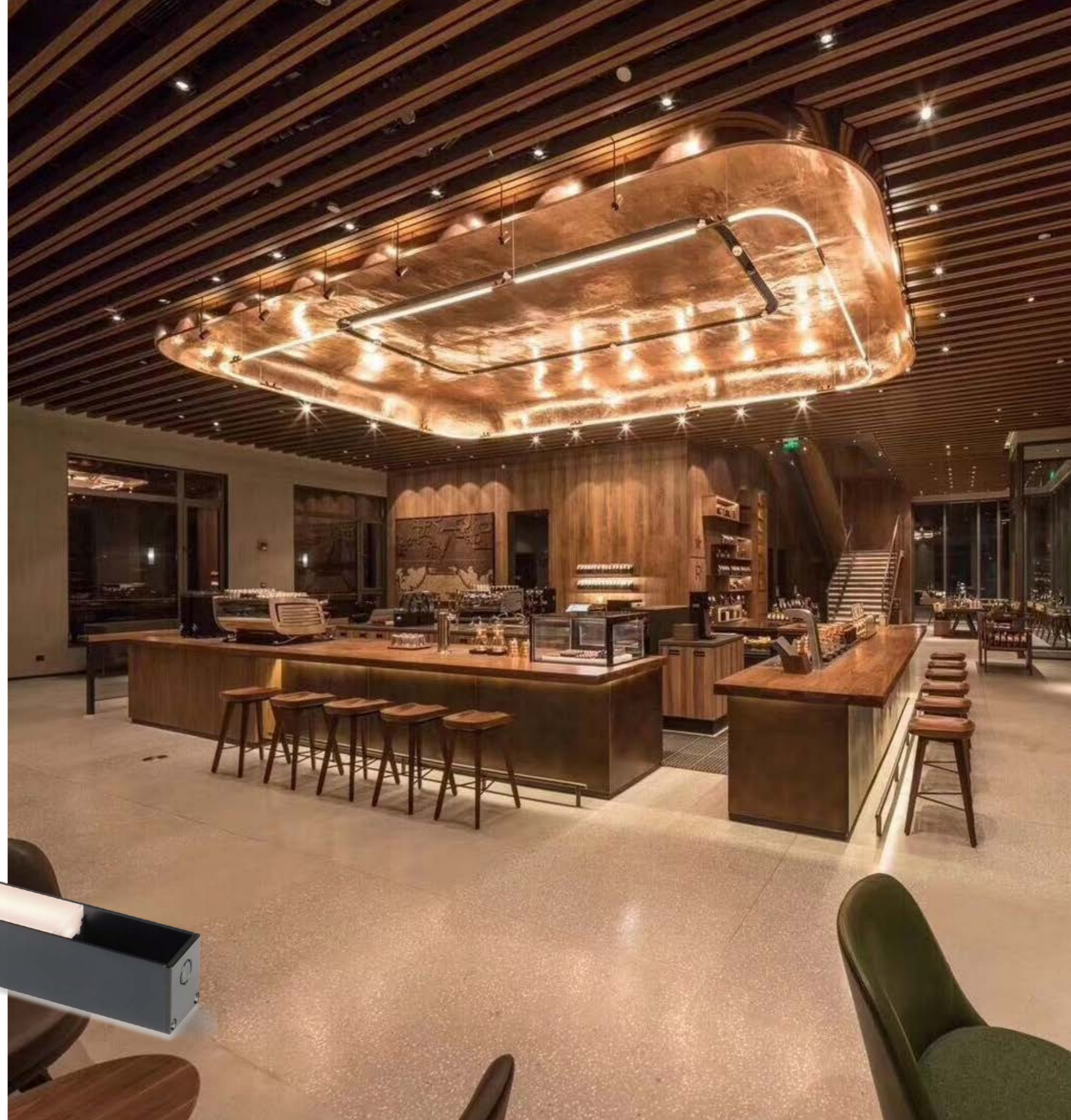
## MonoRail2

Magnetic Lighting System for Display, Cove & Drywall

Display & Cove system for long runs!



- High-end slim linear LED with Spot-free illumination
- Mini Spotlight available with Dimming Touch Sensor
- Easy installation with Magnetic rail system
- Tunable White Color option available
- Various Aluminum Extrusion Profiles available





**MonoRail 2**  
Display & Cove System for Long runs!



MonoRail2 3W Length (97mm)



\* MonoRail2 4W Length (145mm)



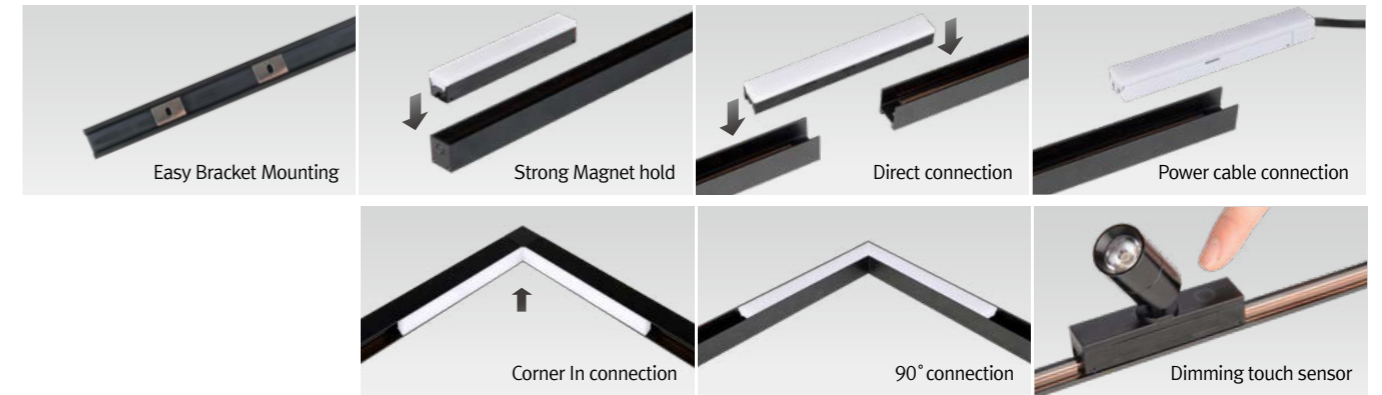
\* MonoRail2 8W Length (288mm)



NMP-Rail (power supply track)

\* Only 4W/8W are available for the direct connection

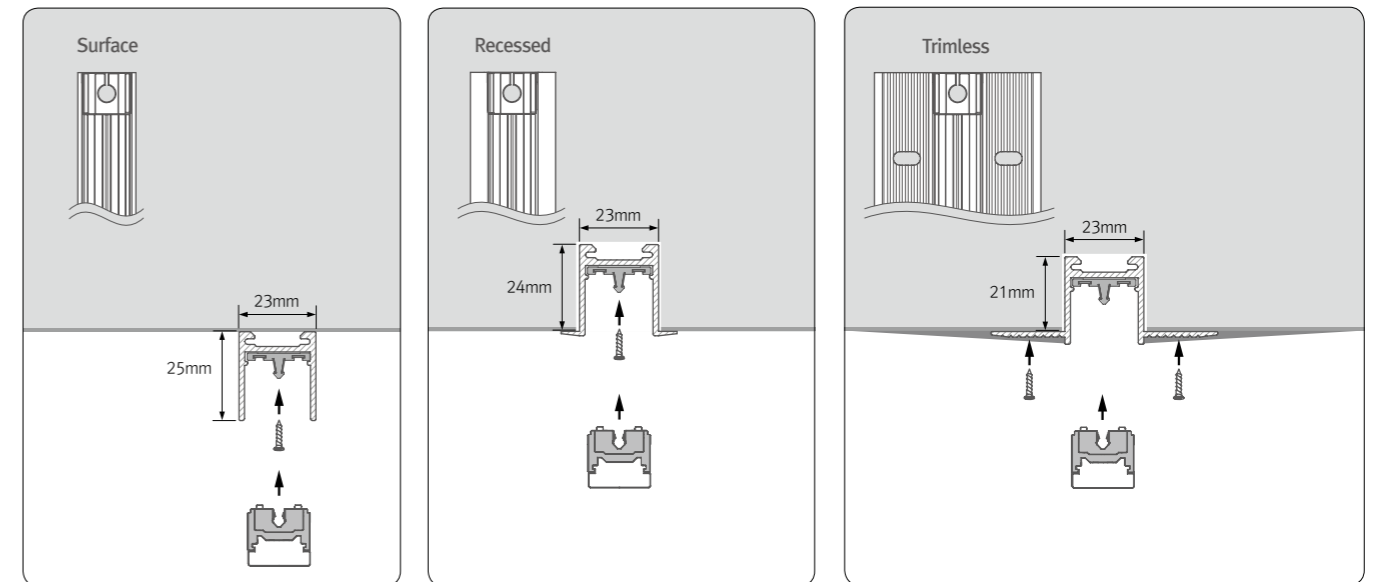
**Various options**



**Extrusion Types**



**Installation**



**Max. connection**

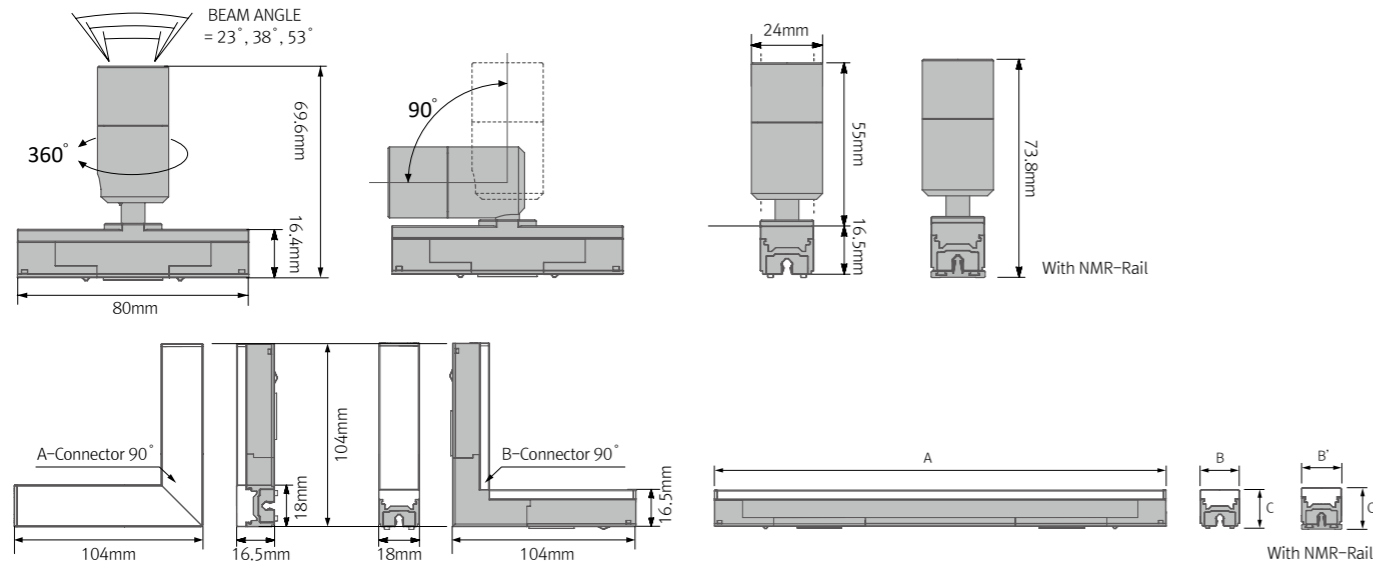
- MonoRail2 : 180W in one row (Single power feed)
- LED Driver

Model Name	Max. units for LED Driver		
	24V/30W	24V/75W	24V/200W
NMS3 40K-24V	11	28	76
NMP3 40K-24V-C90	12	30	80
NMP4 40K-24V-C90	7	19	52
NMP8 40K-24V-C90	4	10	26

## Specification

Model Name	Power Input	Lamp Power	Luminous Flux	Efficiency	Color Rendering	Available Color	Operating Temperature
NMS3 40K-24V	DC24V	2.6W	220	90lm/W	Ra>80	2,200K/2,500K/2,700K/3,000K/3,500K/4,000K/5,000K	0-45°C
NMS3 40K-24V-T	DC24V	2.6W	220	90lm/W	Ra>80	2,200K/2,500K/2,700K/3,000K/3,500K/4,000K/5,000K	0-45°C
NMP3 40K-24V-C90	DC24V	2.5W	190	80lm/W	Ra>90	2,200K/2,500K/2,700K/3,000K/3,500K/4,000K/5,700K	0-45°C
NMP4 40K-24V-C90	DC24V	3.8W	300	80lm/W	Ra>90	2,200K/2,500K/2,700K/3,000K/3,500K/4,000K/5,700K	0-45°C
NMP8 40K-24V-C90	DC24V	7.5W	510	70lm/W	Ra>90	2,200K/2,500K/2,700K/3,000K/3,500K/4,000K/5,700K	0-45°C

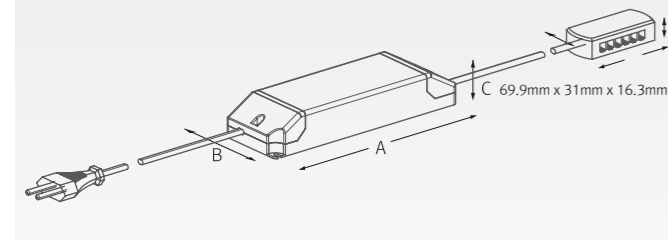
## Dimension



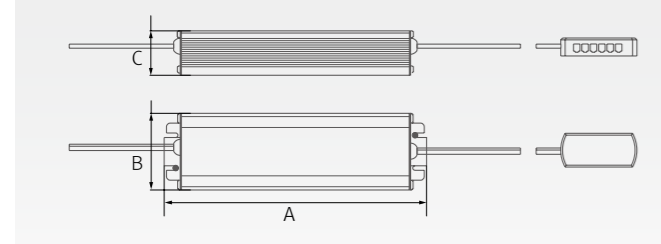
Model Name	Power Input (V)	Lamp Power (W)	A (mm)	B (mm)	B' (mm)	C (mm)	C' (mm)
NMP3 40K-24V-C90	DC 24	2.5W	95	18	18	16.5	18.8
NMP4 40K-24V-C90	DC 24	3.8W	145	18	18	16.5	18.8
NMP8 40K-24V-C90	DC 24	7.5W	286	18	18	16.5	18.8

Model Name	A (mm)	B (mm)	C (mm)
FLC30-24V/T	150	41	31
FLC75-24V-P/T	180	60	32

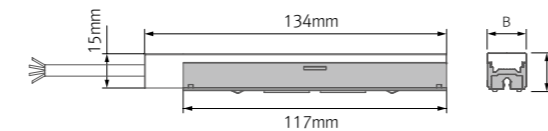
### \* LED Driver



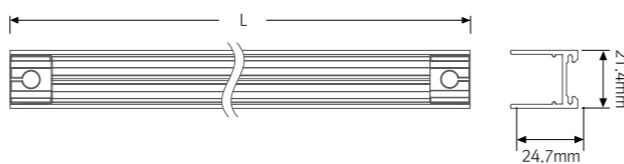
Model Name	A (mm)	B (mm)	C (mm)
FLC200-24V/T	228	68	39



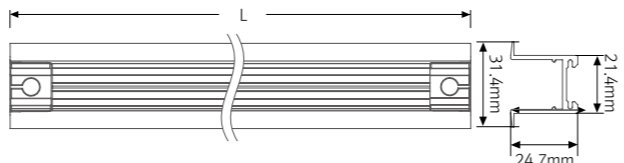
### \* Power Cable



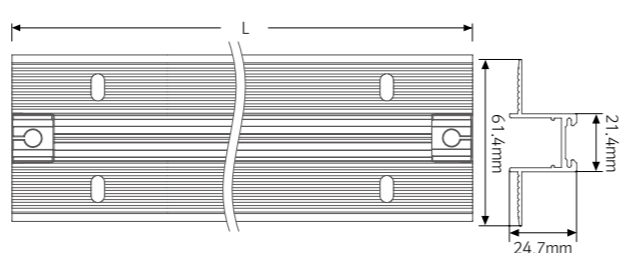
### \* NMR-Rail Surface extrusion



### \* NMR-Rail Recessed extrusion



### \* NMR-Rail Trimless extrusion



## Accessories

### Ⓐ MonoRail2 Spot

Beam angle	Black	White
23°	NMS3 40K-24V-BK-23	NMS3 40K-24V-WT-23
38°	NMS3 40K-24V-BK-38	NMS3 40K-24V-WT-38
53°	NMS3 40K-24V-BK-53	NMS3 40K-24V-WT-53

\* Available Color : Black, White

### Ⓑ MonoRail2 Spot (Touch Sensor)

Beam angle	Black	White
23°	NMS3 40K-24V-BK-23-T	NMS3 40K-24V-WT-23-T
38°	NMS3 40K-24V-BK-38-T	NMS3 40K-24V-WT-38-T
53°	NMS3 40K-24V-BK-53-T	NMS3 40K-24V-WT-53-T

\* Available Color : Black, White

### Ⓒ Vertical LED Power Cable : NMP3 40K-24V-C90-L134P

Monorail2 3W fixture (134mm) DC 24V Vertical Power Connection with Extrusion - 1ch/2ch

### Ⓓ LED Vertical In Connector : NMP5 40K-24V-C90-C

Monorail2 Corner in Connector 5W DC24V

### Ⓔ LED Vertical 90° Connector : NMP5 40K-24V-C90-90

Monorail2 90° Connector 5W DC 24V

### Ⓕ Vertical Power Cable : NMPPC-VE

Monorail2 Vertical Power Connection - 1ch/2ch

### Ⓖ Vertical Direct Connector : NMPCPL-VE

### Ⓗ Vertical In Connector : NMPCPL-CI

### Ⓘ Vertical 90° Connector : NMPCPL-90

### Ⓛ NMR-Rail Extrusion Surface (600mm/900mm/1,200mm)

Black	White
NMP-EXS-BK	NMP-EXS-WT

\*With NMR-Rail

### Ⓚ NMR-Rail Extrusion Recess (600mm/900mm/1,200mm)

Black	White
NMP-EXR-BK	NMP-EXR-WT

\*With NMR-Rail

### Ⓛ NMR-Rail Extrusion Trimless (600mm/900mm/1,200mm)

Black	White
NMP-EXT-BK	NMP-EXT-WT

\*With NMR-Rail

### Ⓜ Standard mounting bracket : NMP-BRACKET1

NMP-BRACKET1 : 1 set = 2pcs

### Accessories for MonoRail2 Pendant

### Ⓝ Horizontal connection for pendant : NMPPC-HE

### Ⓞ Horizontal long interconnection for pendant : NMPPTC-HE

### Ⓟ Horizontal Horizontal interconnection for pendant : NMPCPL-HE

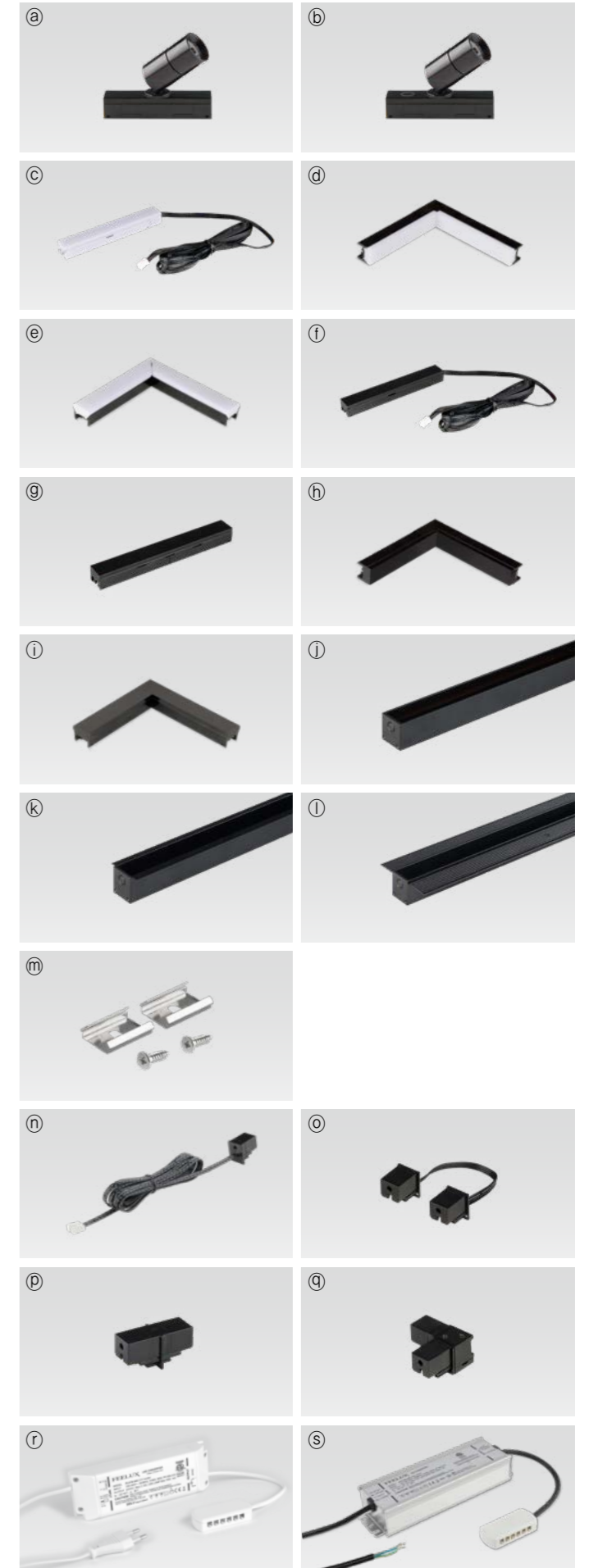
### Ⓠ L figure Horizontal interconnection for pendant : NMPCPL-HE-L

### Ⓡ LED Driver with 12way distributor, with power cord (1,800mm)

Part NO	FLC30-24V/T	FLC75-24V-P/T
Capacity	24V/30W	24V/75W

### Ⓢ LED Driver : FLC200-24V/T (200W, DC24V)

LED Driver With 12way distributor



## MonoRail Pro

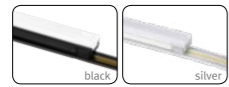
LED for Display, Cabinet, Furniture

Display & Cove system for long runs!



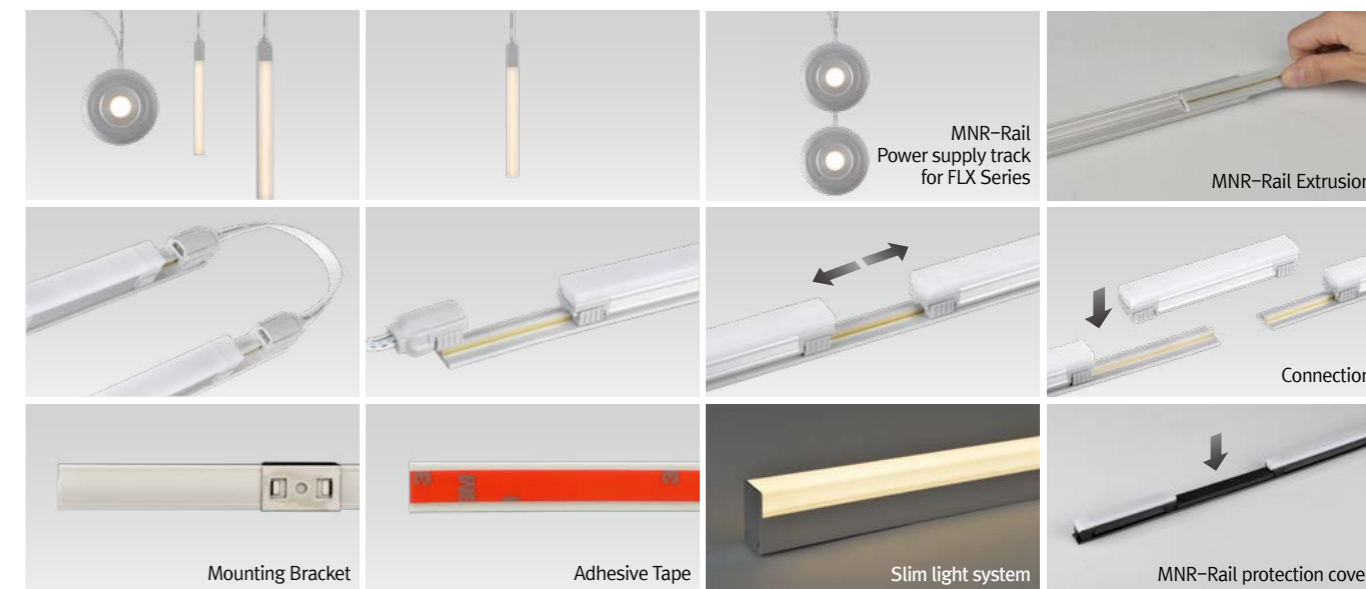
- Super Slim linear with power track
- Greatly extends the length of a run with a single power point
- Fixtures snaps onto power track with no breaks in light output
- Available in silver, black
- To be used with constant voltage DC 24V driver
- Dimmable with available accessories

Various color





**Various options**



**MonoRail Pro**  
Display& Cove System for Long runs!



MonoRail Pro 1W Length (95mm)



MonoRail Pro 4W Length (286mm)

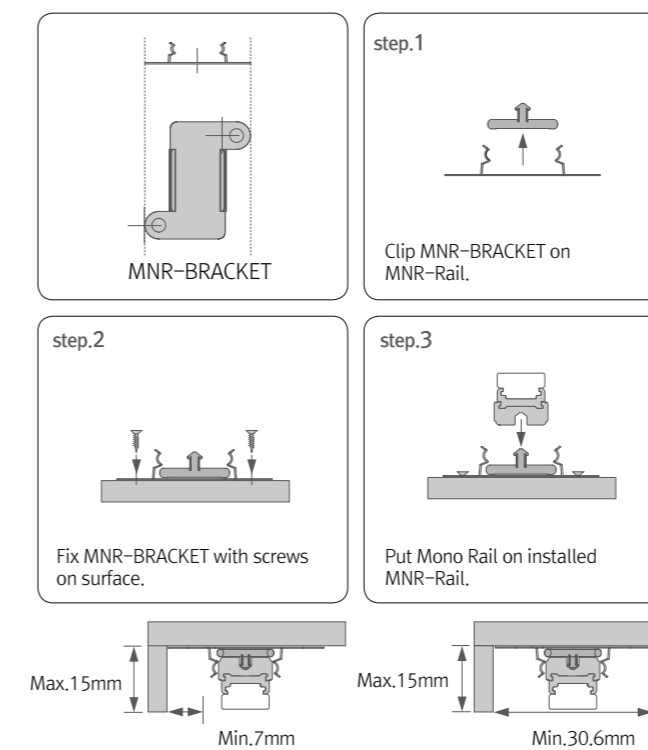


MonoRail Pro 8W Length (572mm)



MNR-Rail (power supply track)

**Installation**



**Max. connection**

- MonoRail : 180W in one row (Single power feed)
- LED Driver

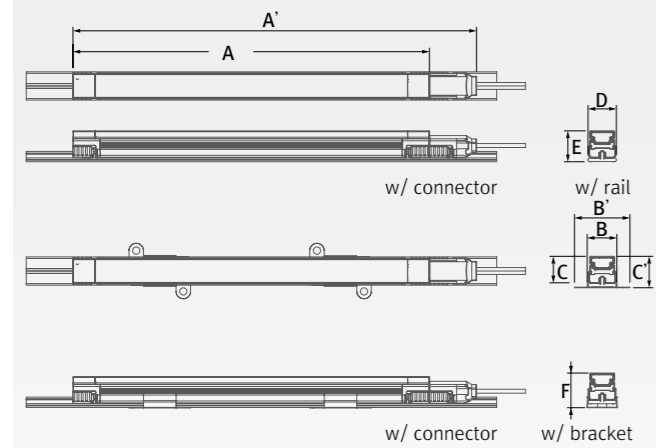
Model Name	Max. units for LED Driver		
	24V/30W	24V/75W	24V/200W
MNP1 40K-24V	21	53	114
MNP4 40K-24V	7	17	37
MNP8 40K-24V	3	9	18

## Specification

Model Name	Power Input	Lamp Power	Luminous Flux	Efficiency	Color Rendering	Available Color	Operating Temperature
MNP1 40K-24V-C90	DC24V	1W	85 lm	85 lm/W	Ra > 90	2,700K/3,000K/3,500K/4,000K/5,700K	0-45°C
MNP4 40K-24V-C90	DC24V	4W	340 lm	85 lm/W	Ra > 90	2,700K/3,000K/3,500K/4,000K/5,700K	0-45°C
MNP8 40K-24V-C90	DC24V	8W	680 lm	85 lm/W	Ra > 90	2,700K/3,000K/3,500K/4,000K/5,700K	0-45°C

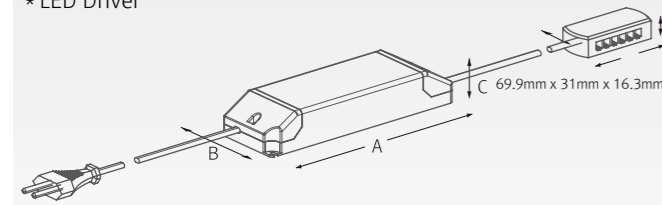
## Dimension

Model Name	Power Input (V)	Lamp Power (W)	A (mm)	A' (mm)	B (mm)	B' (mm)	C (mm)	C' (mm)	D (mm)	E (mm)	F (mm)
MNP1 40K-24V-C90	DC 24	1.3	95	121	15.3	30.6	14.8	17.4	15.6	17	17
MNP4 40K-24V-C90	DC 24	4	286	312	15.3	30.6	14.8	17.4	15.6	17	17
MNP8 40K-24V-C90	DC 24	8	572	598	15.3	30.6	14.8	17.4	15.6	17	17

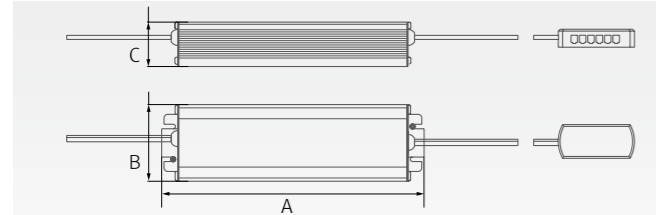


Model Name	A (mm)	B (mm)	C (mm)
FLC15-24V/T	121	45	16
FLC30-24V/T	150	41	31
FLC75-24V-P/T	180	60	32

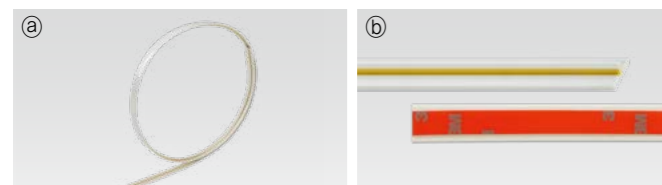
### \* LED Driver



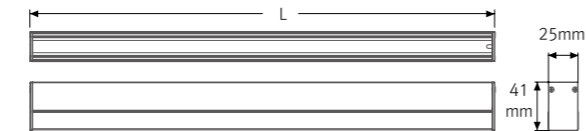
Model Name	A (mm)	B (mm)	C (mm)
FLC200-24V/T	228	68	39



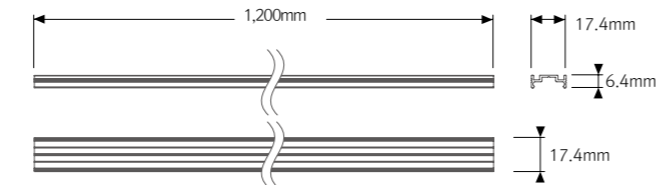
## Accessories



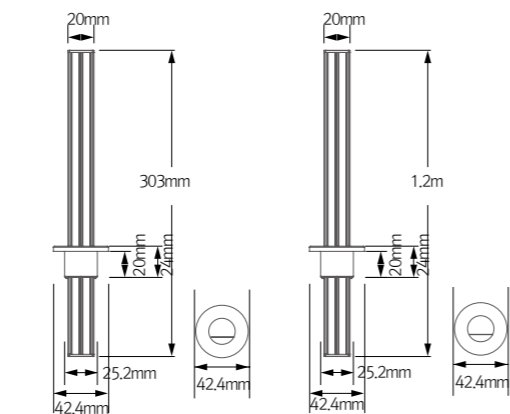
### \* Slim light system



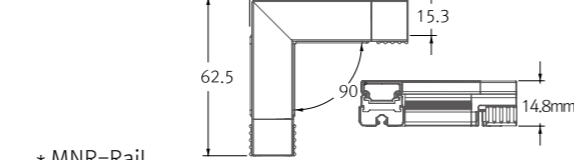
### \* MNR-Rail extrusion line



### \* MNR-Rail extrusion pole



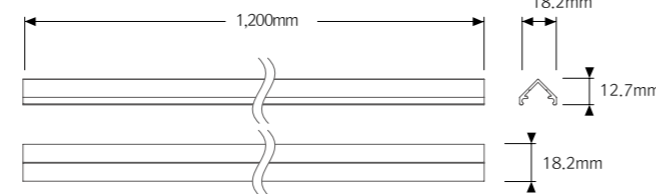
### \* 90° connector



### \* MNR-Rail



### \* MNR-Rail extrusion corner



### Ⓐ Power supply track : MNR-Rail (20m)

Power supply track in Roll without adhesive  
Color : White, Gray, Black

### Ⓑ Power supply track : MNR-Rail (1,200mm)

Power supply track with adhesive tape  
Color : White, Gray, Black

### Ⓒ Adhesive tape

Adhesive tape for MNR-Rail (16.5 m)

### Ⓓ Power supply cable to the MNR-Rail : MNRPC (2,500mm)

120W in one row (w/ terminal block)  
180W in one row (w/o terminal block)

\* Available Color : Gray, Black

### Ⓔ Connecting cable between MNR-Rail

MNRPTC	MNRPTC1	MNRPTC2	MNRPTC4	MNRPTC6
150mm(6inch)	300mm(1feet)	600mm(1feet)	1200mm(4feet)	1800mm(6feet)

\* Available Color : Gray, Black

### Ⓕ Connecting cable between MNR-Rail and FLX Stix NDP : MNRPTC-NDP

MNRPTC-NDP1	MNRPTC-NDP2
300mm(1feet)	600mm(2feet)

\* Available Color : Gray, Black

### Ⓖ Connecting cable between MNR-Rail and FLX Stix NDV : MNRPTC-NDV

MNRPTC-NDV1	MNRPTC-NDV2
300mm(1feet)	600mm(2feet)

\* Available Color : Gray, Black

### Ⓗ Connecting cable between MNR-Rail and FLX Stix HDP : MNRPTC-HDP

MNRPTC-HDP1	MNRPTC-HDP2
300mm(1feet)	600mm(2feet)

\* Available Color : Gray, Black

### Ⓙ Connecting cable between MNR-Rail and FLX Stix HDV&DDV : MNRPTC-HDV

MNRPTC-HDV1	MNRPTC-HDV2
300mm(1feet)	600mm(2feet)

\* Available Color : Gray, Black

### Ⓚ Connecting cable between MNR-Rail and FLX Spot DVS : MNRPTC-DVS

MNRPTC-DVS1	MNRPTC-DVS2
300mm(1feet)	600mm(2feet)

\* Available Color : Gray, Black

### Ⓛ Sidefeed for seamless extension (1W) : MNP1 40K-24V-C90-S

120W in one row

### Ⓜ 90° connector : MNP1 40K-24V-C90-90

MonoRail90° connector (1W)  
120W in one row

### Ⓝ LED Driver with 12way distributor, with power cord (1,800mm)

Part No	FLC15-24V/T	FLC30-24V/T	FLC75-24V-P/T
Capacity	15W 24V	30W 24V	75W 24V

### Ⓞ LED Driver : FLC200-24V/T (200W, DC24V)

LED Driver With 12way distributor

### Ⓟ Bracket : MNR-BRACKET (standard)

### Ⓠ Bracket : MNR-BRACKET1 (optional)

### Ⓡ Dimming Interface (1-10V) : FDC-L10

Max. 100W (100W/CH, 1CH)

### Ⓢ Dimming Interface (0-10/1-10V, DMX512)

FDA-L2M0 : Max. 200W (100W/CH, 2CH)  
FDA-L5M : Max. 200W (50W/CH, 5CH)

### Ⓣ Dimming Interface (Dail) : FDD-L1DA

Max. 200W (100W/feed, 2feeds)

### Ⓤ Slim light system (1,200mm) : SLS-EXT

### Ⓡ MNR-Rail extrusion line (1,200mm)

Silver	Black
MNR-EXL-SV	MNR-EXL-BK

### Ⓢ MNR-Rail extrusion corner (1,200mm)

Silver	Black
MNR-EXC-SV	MNR-EXC-BK

### Ⓣ MNR-Rail extrusion pole (300mm/1,200mm)

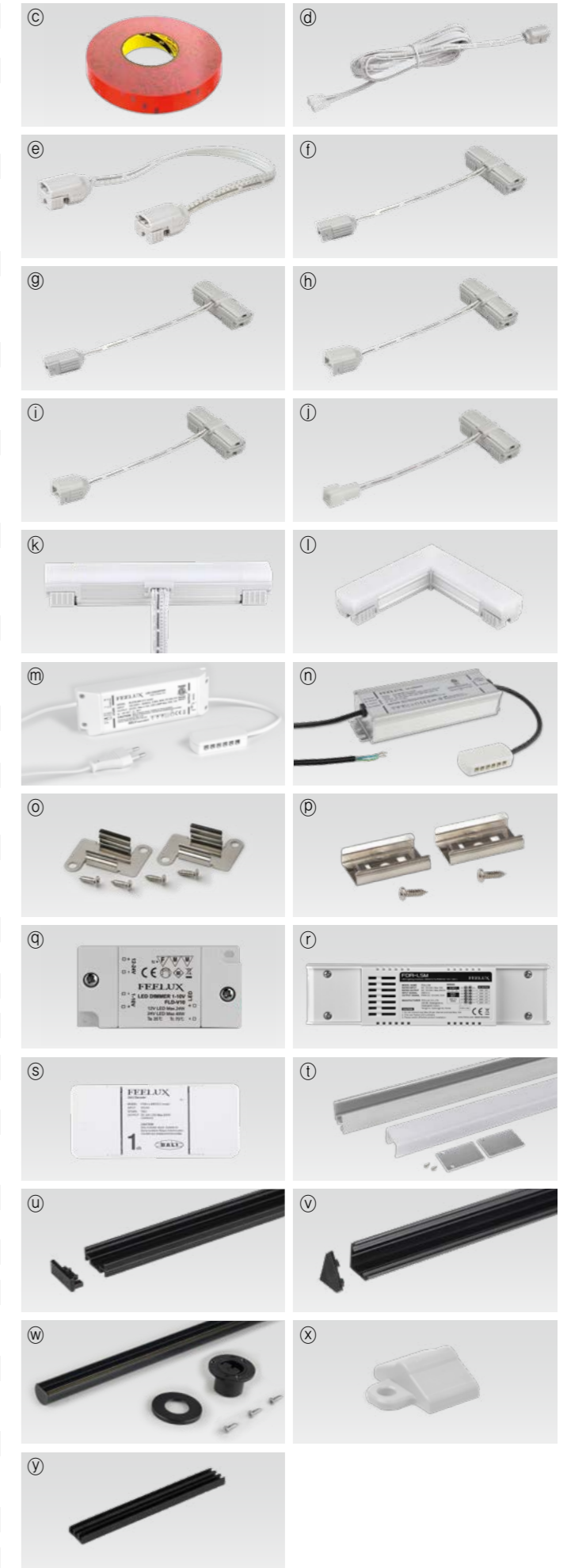
Silver	Black
MNR-EXP-SV	MNR-EXP-BK

### Ⓤ End cap : MNR-CAP

Color : White, Gray, Black

### Ⓡ MNR-Rail protection cover : MNR-Rail cover

Color : White, Gray, Black



# MonoRail Showcase Kit

Total Solution for Showcase

Convenient Pole System for Multi-use



- The showcase kit convenient for all
- Showcase kit using MonoRail system
- Plug & Play display system
- Adjustable length
- Slide LED fixtures along power track
- Available in silver or black
- To be used with constant voltage DC 24V driver

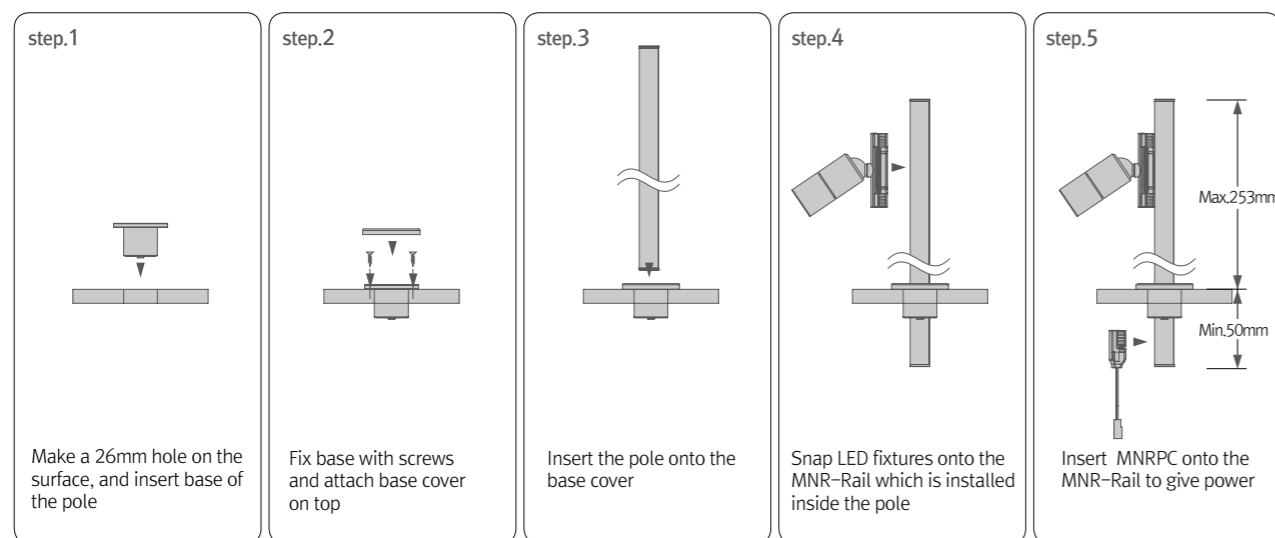


Slide LED fixtures along MNR-Rail

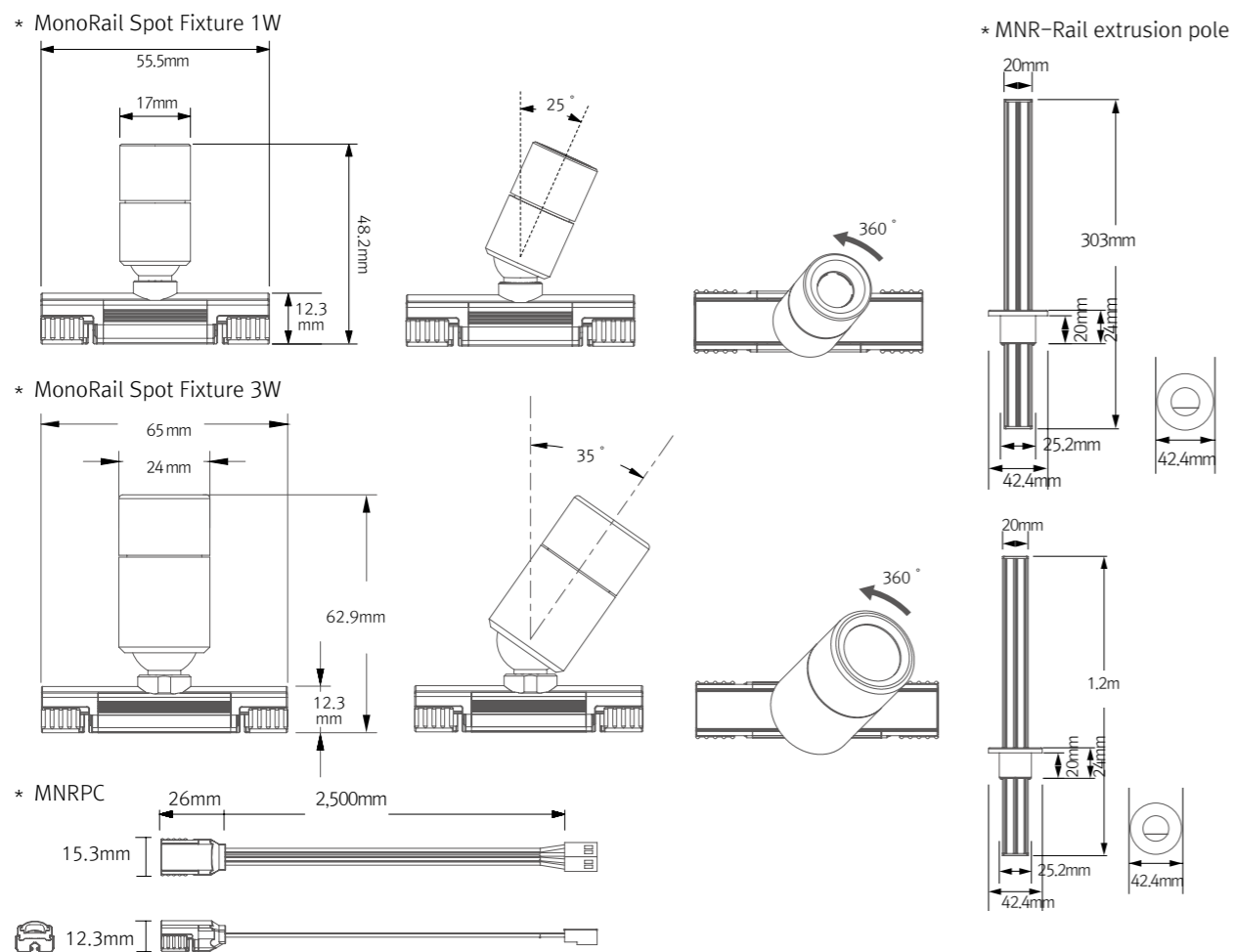
Adjustable pole length



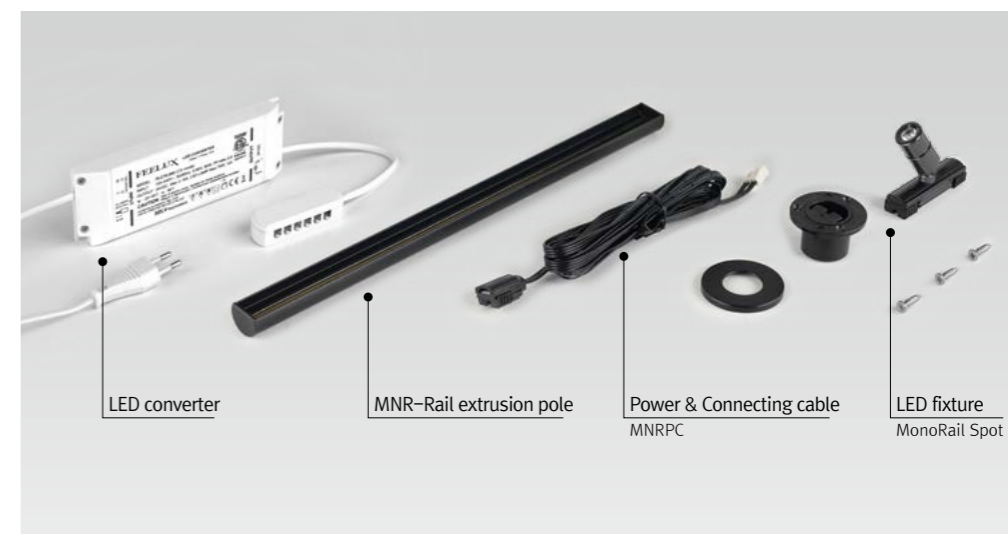
## Installation



## Dimension



## Required Accessories



## Accessories

### Ⓐ MNR-Rail extrusion pole (300mm/1,200mm)

	Silver	Black
300mm	MNR-EXP-SV	MNR-EXP-BK
1,200mm	MNR-EXP-SV (1.2m)	MNR-EXP-BK (1.2m)

\* LED fixture, Power cable, LED driver are not included

### Ⓑ MonoRail Spot

Beam angle	Silver	Black
15°	MRS1 40K-24V-SV-15	MRS1 40K-24V-BK-15
35°	MRS1 40K-24V-SV-30	MRS1 40K-24V-BK-30

### Ⓒ MonoRail Spot HO

Beam angle	Silver	Black	White
25°	MRS340K-24V-SV-25	MRS340K-24V-BK-25	MRS340K-24V-WT-25
45°	MRS340K-24V-SV-45	MRS340K-24V-BK-45	MRS340K-24V-WT-45
60°	MRS340K-24V-SV-60	MRS340K-24V-BK-60	MRS340K-24V-WT-60

### Ⓓ Power supply cable to the MNR-Rail : MNRPC (2,500mm)

120W in one row (w/ terminal block)  
180W in one row (w/o terminal block)  
\* Available Color : Gray, Black

### Ⓔ LED Driver with 12way distributor, with power cord (1,800mm)

Part NO	FLC15-24V/T	FLC30-24V/T	FLC75-24V-P/T
Capacity	24V/15W	24V/30W	24V/75W





## MonoRail Spot HO

LED for Display, Cabinet, Furniture

Slide and Swivel High Output LED Spotlight



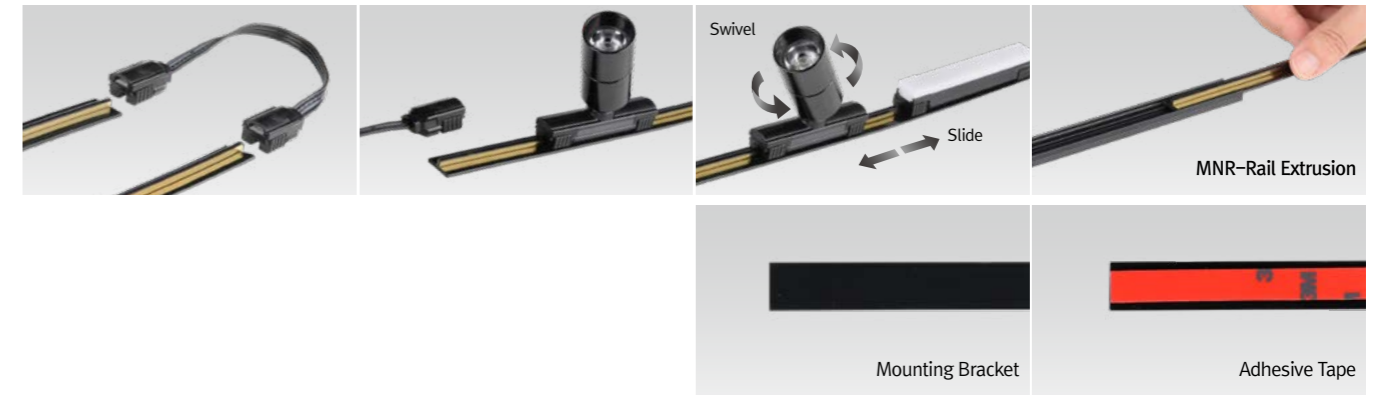
- Compatible and linkable with MonoRail system
- Slide and Swivel High Output LED Spotlight
- Suitable for furniture and showcase application
- Simple Plug & Play connection to the power track
- Available in silver or black
- To be used with constant voltage DC 24V driver

Various color

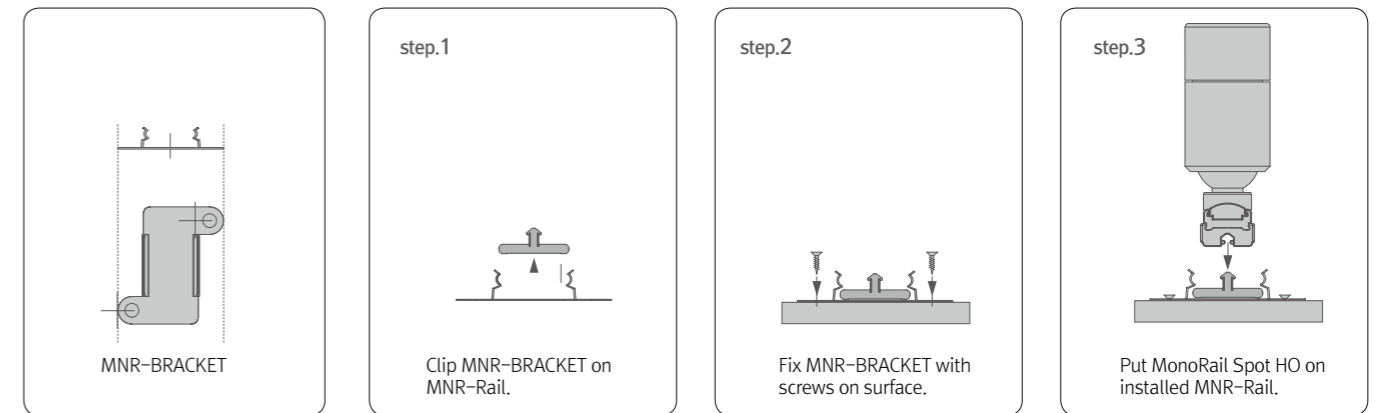




**Various options**



**Installation**



**Max. connection**

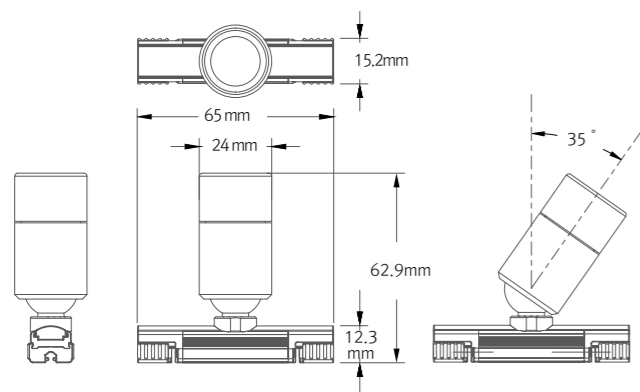
- MonoRail Spot HO: 180W in one row(Single powerfeed)
- LED Driver

LED Driver Model Name	Max. units for LED Driver			
	24V/15W	24V/30W	24V/75W	24V/200W
MRS3 40K-24V-SV	5	11	28	76

**Specification**

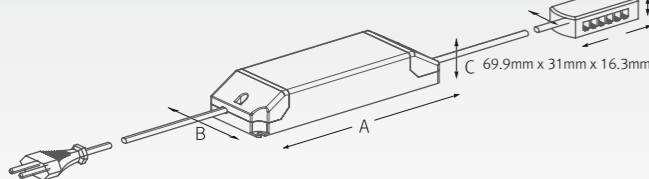
Model Name	Color	Power Input	Lamp Power	Luminous Flux	Efficiency	Color Rendering	Available Color	Beam Angle	Operating Temperature
MRS3 40K-24V-SV-25	Silver	DC24V	3W	276 lm	95 lm/W	Ra > 80	2,700K/3,000K/3,500K/4,000K/5,000K/5,700K	25°, 45°, 60°	0-45°C
MRS3 40K-24V-BK-45	Black	DC24V	3W	276 lm	95 lm/W	Ra > 80	2,700K/3,000K/3,500K/4,000K/5,000K/5,700K	25°, 45°, 60°	0-45°C
MRS3 40K-24V-WT-60	white	DC24V	3W	276 lm	95 lm/W	Ra > 80	2,700K/3,000K/3,500K/4,000K/5,000K/5,700K	25°, 45°, 60°	0-45°C

**Dimension**

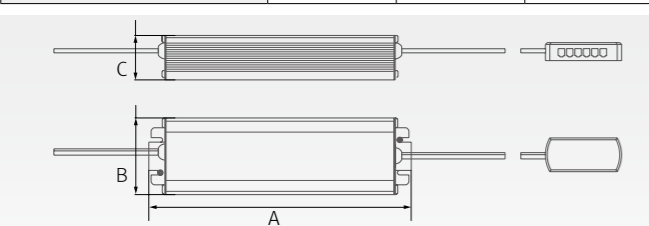


Model Name	A (mm)	B (mm)	C (mm)
FLC15-24V/T	121	45	16
FLC30-24V/T	150	41	31
FLC75-24V-P/T	180	60	32

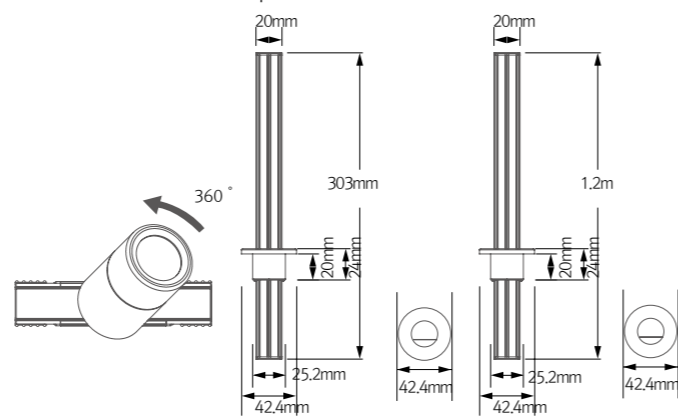
**\* LED Driver**



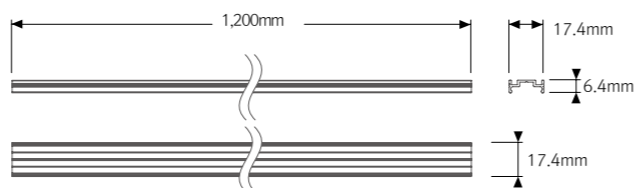
Model Name	A (mm)	B (mm)	C (mm)
FLC200-24V/T	228	68	39



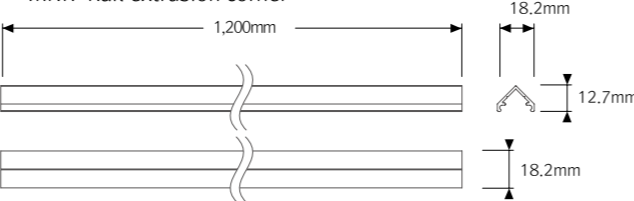
**\* MNR-Rail extrusion pole**



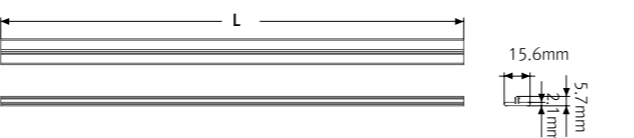
**\* MNR-Rail extrusion line**



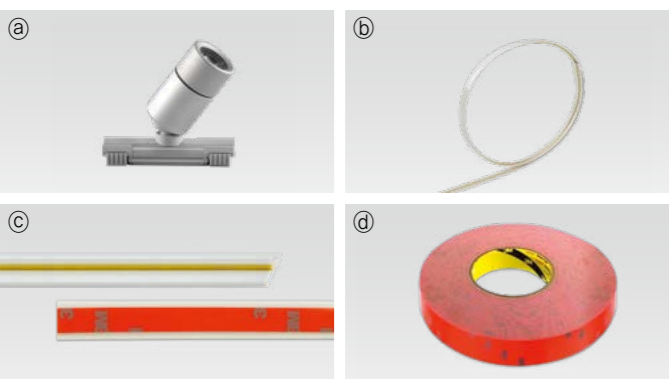
**\* MNR-Rail extrusion corner**



**\* MNR-Rail**



**Accessories**



**⑧ MonoRail Spot HO**

Beam angle	Silver	Black	White
25°	MRS3 40K-24V-SV-25	MRS3 40K-24V-BK-25	MRS3 40K-24V-WT-25
45°	MRS3 40K-24V-SV-45	MRS3 40K-24V-BK-45	MRS3 40K-24V-WT-45
60°	MRS3 40K-24V-SV-60	MRS3 40K-24V-BK-60	MRS3 40K-24V-WT-60

**⑨ Power supply track : MNR-Rail (20,000mm)**

Color : White, Gray, Black

**⑩ Power supply track : MNR-Rail (1,200m)**

Color : White, Gray, Black

**⑪ Adhesive tape**

MNR-Rail (16.5m)

**⑫ Power supply cable to the MNR-Rail : MNRPC (2,500mm)**

120W in one row (w/ terminal block)  
180W in one row (w/o terminal block)  
\* Available Color : Black, Gray

**⑬ Connecting cable between MNR-Rail**

MNRPTC	MNRPTC1	MNRPTC2	MNRPTC4	MNRPTC6
150mm(6inch)	300mm(1feet)	600mm(1feet)	1,200mm(4feet)	1,800mm(6feet)

\* Available Color : Black, Gray

**⑭ LED Driver with 12way distributor, with power cord (1800mm)**

Part NO	FLC15-24V/T	FLC30-24V/T	FLC75-24V-P/T
Capacity	24V/15W	24V/30W	24V/75W

**⑮ LED Driver : FLC200-24V/T (200W, DC24V)**

LED Driver With 12way distributor

**⑯ Bracket : MNR-BRACKET (standard)**

**⑰ Bracket : MNR-BRACKET1 (optional)**

**⑱ Dimming Interface (1-10V) : FDC-L10**

Max. 100W (100W/CH, 1CH)

**⑲ Dimming Interface (0-10/1-10, DMX512)**

FDA-L2M0 : Max. 200W (100W/CH, 2CH)  
FDA-L5M : Max. 200W (50W/CH, 5CH)

**⑳ Dimming Interface (Dail) : FDD-L1DA**

Max. 200W (100W/feed, 2feeds)

**㉑ Door and motion detection sensor (DC) : FLS-M24V**

Voltage : DC 24V

**㉒ Human-body detection sensor (DC) : FLS-P24V**

Voltage : DC 24V

**㉓ MNR-Rail extrusion line (1,200mm)**

Silver	Black
MNR-EXL-SV	MNR-EXL-BK
Without MNR-Rail	

**㉔ MNR-Rail extrusion corner (1,200mm)**

Silver	Black
MNR-EXC-SV	MNR-EXC-BK
Without MNR-Rail	

**㉕ MNR-Rail extrusion pole (300mm/1,200mm)**

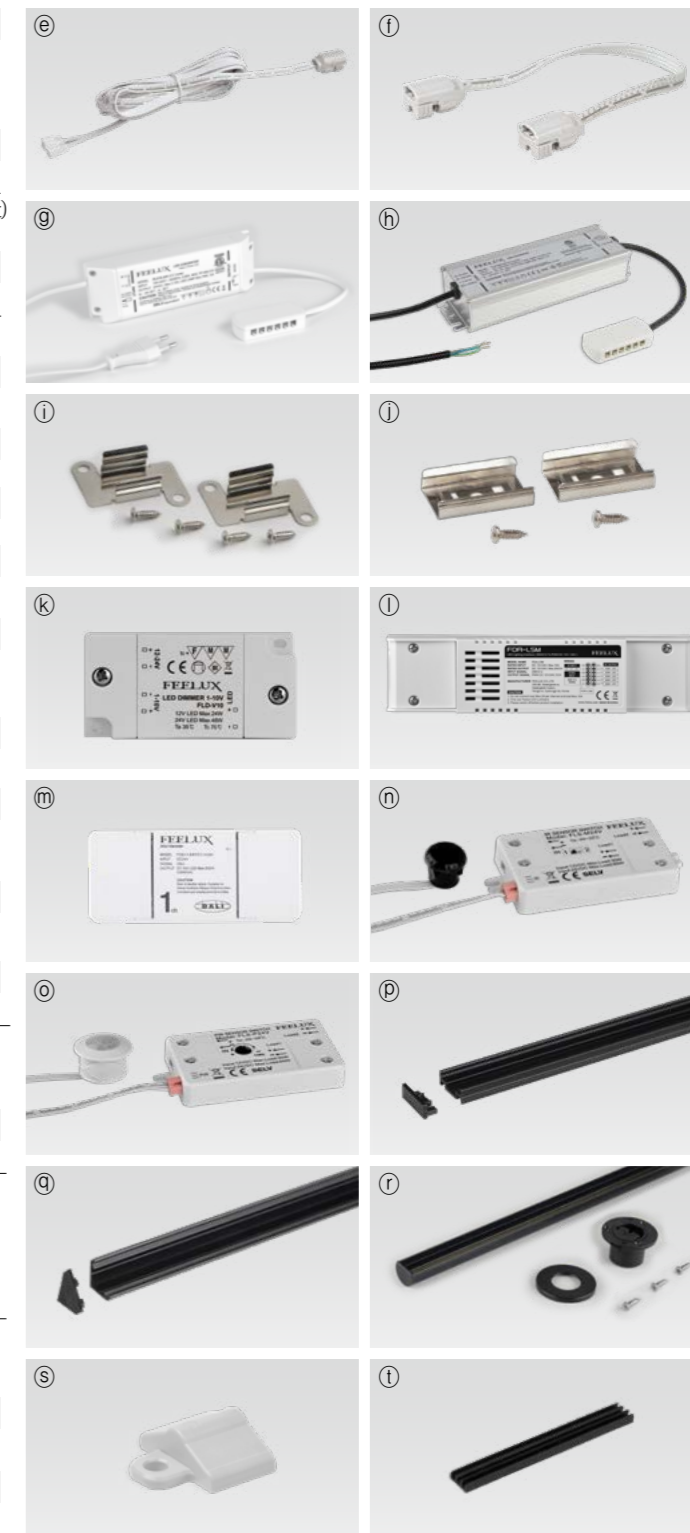
Silver	Black
MNR-EXP-SV	MNR-EXP-BK
With MNR-Rail	

**㉖ End cap : MNR-CAP**

Color : White, Gray, Black

**㉗ MNR-Rail protection cover : MNR-Rail cover**

Color : White, Gray, Black



## MonoRail Spot

LED for Display, Cabinet, Furniture

### Slide and Swivel Mini LED Spotlight



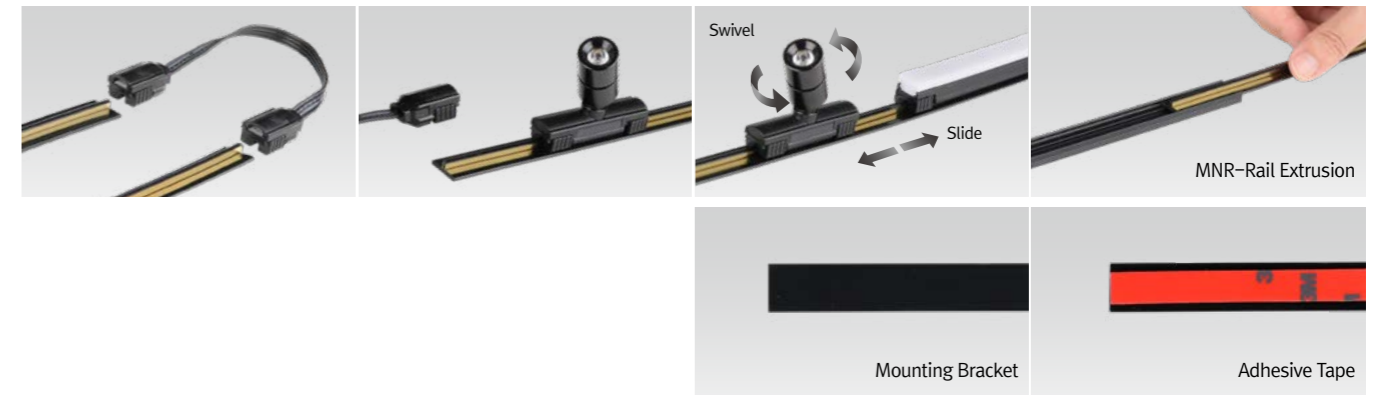
- Compatible and linkable with MonoRail system
- Slide and swivel mini LED spotlight
- Suitable for furniture and showcase application
- Simple Plug & Play connection to the power track
- Available in silver or black
- To be used with constant voltage DC 24V driver

Various color

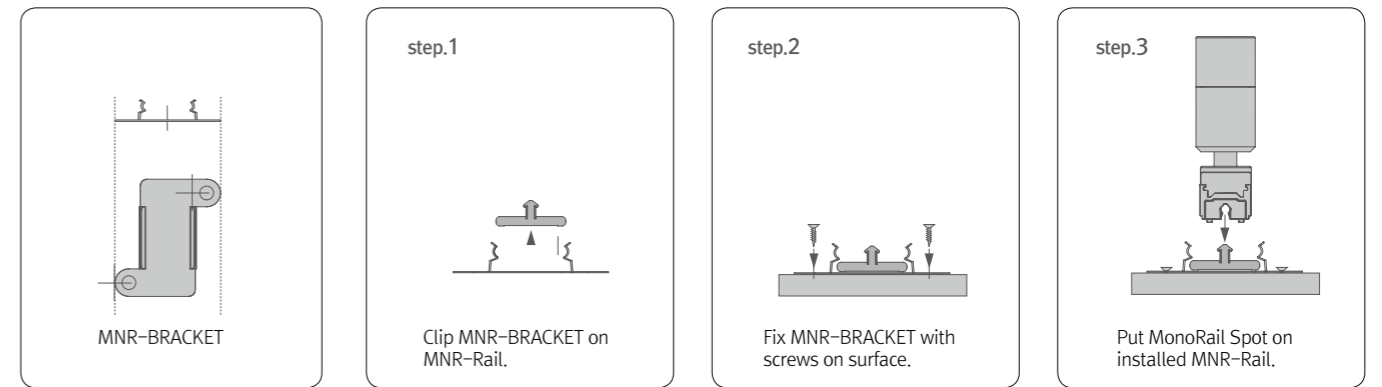




### Various options



### Installation



### Max. connection

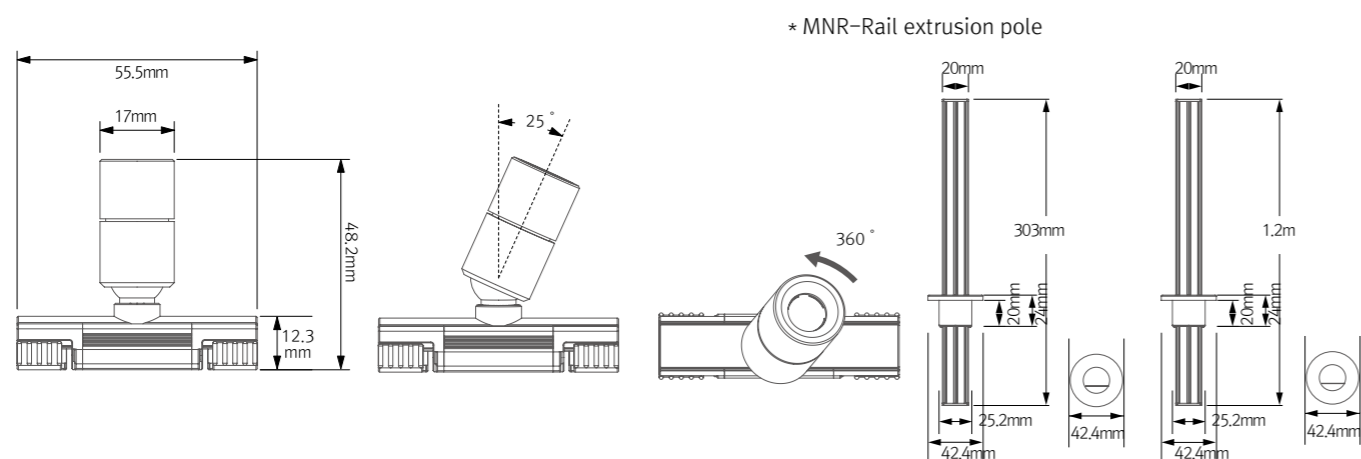
- MonoRail Spot :180W in one row (Single power feed)
- LED Driver

LED Driver Model Name	Max. units for LED Driver			
	24V/15W	24V/30W	24V/75W	24V/200W
MRS1 40K-24V-SV	10	20	52	140

### Specification

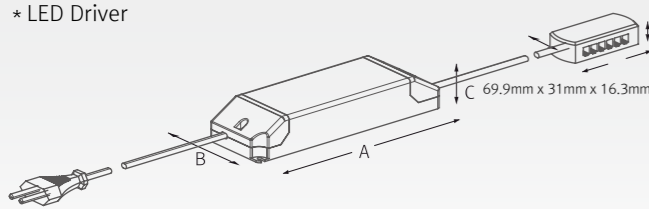
Model Name	Color	Power Input	Lamp Power	Luminous Flux	Efficiency	Color Rendering	Available Color	Beam Angle	Operating Temperature
MRS1 40K-24V-SV-15	Silver	DC24V	1W	95 lm	74 lm/W	Ra > 85	2,700K/3,000K/4,000K/5,000K/5,700K	15°, 35°	0~45°C
MRS1 40K-24V-BK-35	Black	DC24V	1W	95 lm	75 lm/W	Ra > 85	2,700K/3,000K/4,000K/5,000K/5,700K	15°, 35°	0~45°C

## Dimension

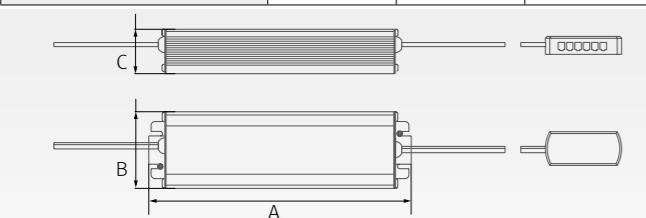


Model Name	A (mm)	B (mm)	C (mm)
FLC15-24V/T	121	45	16
FLC30-24V/T	150	41	31
FLC75-24V-P/T	180	60	32

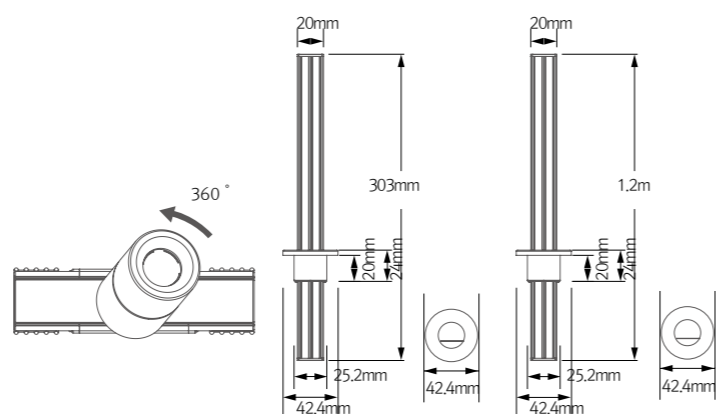
### \* LED Driver



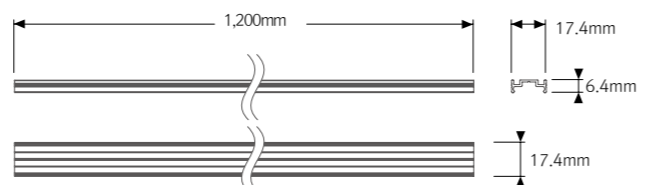
Model Name	A (mm)	B (mm)	C (mm)
FLC200-24V/T	228	68	39



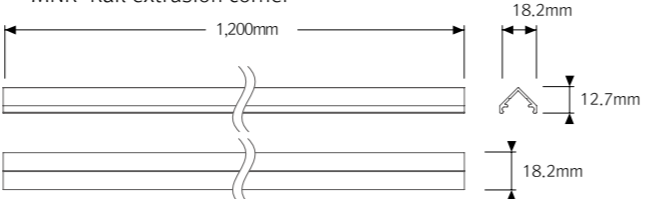
### \* MNR-Rail extrusion pole



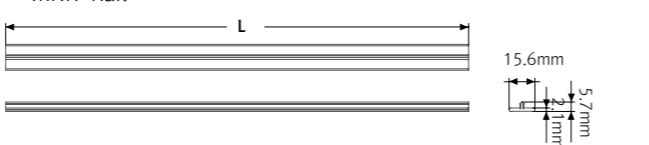
### \* MNR-Rail extrusion line



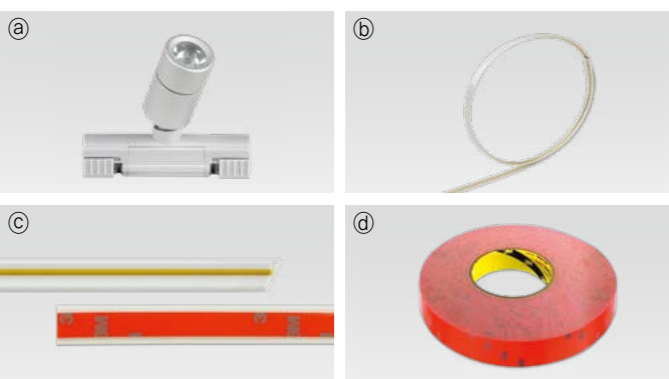
### \* MNR-Rail extrusion corner



### \* MNR-Rail



## Accessories



### a MonoRail Spot

Beam angle	Silver	Black
15°	MRS1 40K-24V-SV-15	MRS1 40K-24V-BK-15
35°	MRS1 40K-24V-SV-35	MRS1 40K-24V-BK-35

### b Power supply track : MNR-Rail (20,000mm)

Power supply track in Roll without adhesive  
Color : White, Gray, Black

### c Power supply track : MNR-Rail (1,200mm)

Power supply track with adhesive tape  
Color : White, Gray, Black

### d Adhesive tape

Adhesive tape for MNR-Rail (16.5m)

### e Power supply cable to the MNR-Rail : MNRPC (2,500mm)

120W in one row (w/ terminal block)  
180W in one row (w/o terminal block)  
\* Available Color : Black, Gray

### f Connecting cable between MNR-Rail

MNRPTC	MNRPTC1	MNRPTC2	MNRPTC4	MNRPTC6
150mm(6inch)	300mm(1feet)	600mm(1feet)	1,200mm(4feet)	1,800mm(6feet)
* Available Color : Black, Gray				

### g LED Driver with 12way distributor, with power cord (1,800mm)

Part NO	FLC15-24V/T	FLC30-24V/T	FLC75-24V-P/T
Capacity	24V/15W	24V/30W	24V/75W

### h LED Driver : FLC200-24V/T (200W, DC24V)

LED Driver With 12way distributor

### i MonoRail bracket : MNR-BRACKET (standard)

### j MonoRail bracket : MNR-BRACKET1 (optional)

### k Dimming Interface (1-10V) : FDC-L10

Max. 100W (100W/CH, 1CH)

### l Dimming Interface (0-10/1-10, DMX512)

FDA-L2M0 : Max. 200W (100W/CH, 2CH)  
FDA-L5M : Max. 200W (50W/CH, 5CH)

### m Dimming Interface (Dail) : FDD-L1DA

Max. 200W (100W/feed, 2feeds)

### n Door and motion detection sensor (DC) : FLS-M24V

Voltage : DC 24V

### o Human-body detection sensor (DC) : FLS-P24V

Voltage : DC 24V

### p MNR-Rail extrusion line (1,200mm)

Silver	Black
MNR-EXL-SV	MNR-EXL-BK
Without MNR-Rail	

### q MNR-Rail extrusion corner (1.2m)

Silver	Black
MNR-EXC-SV	MNR-EXC-BK
Without MNR-Rail	

### r MNR-Rail extrusion pole (300mm/1,200mm)

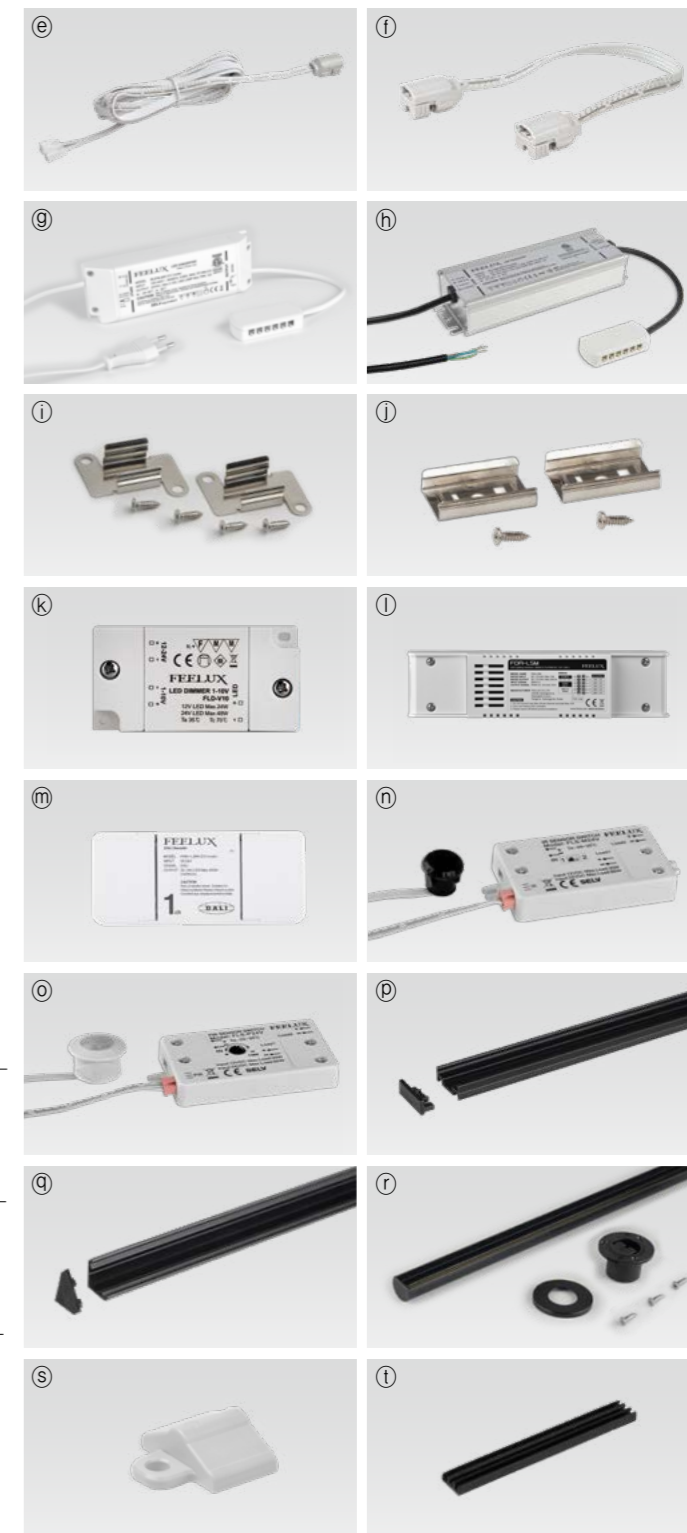
Silver	Black
MNR-EXP-SV	MNR-EXP-BK
With MNR-Rail	

### s End cap : MNR-CAP

Color : White, Gray, Black

### t MNR-Rail protection cover : MNR-Rail cover

Color : White, Gray, Black



# MonoRail

LED for Display, Cabinet, Furniture

Display & Cove system for long runs!



- Super Slim linear with power track
- Greatly extends the length of a run with a single power point
- Fixtures snaps onto power track with no breaks in light output
- Available in silver, black
- To be used with constant voltage DC 24V driver
- Dimmable with available accessories



reddot award 2014  
winner



**MonoRail**  
Display & Cove System for Long runs!



MonoRail 1W Length (95mm)



MonoRail 4W Length (286mm)



MonoRail 8W Length (572mm)

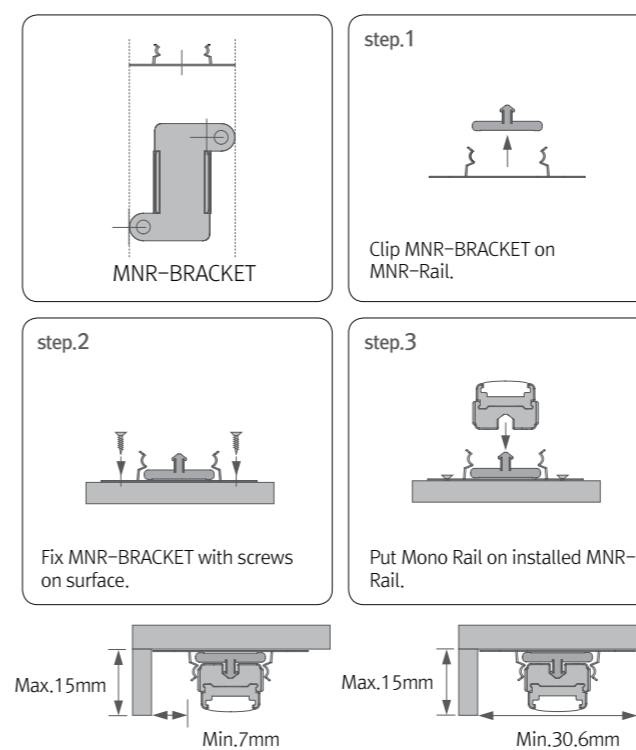


MNR-Rail (power supply track)

**Various options**



**Installation**



**Max. connection**

- MonoRail :180W in one row (Single power feed)
- LED Driver

Model Name	Max. units for LED Driver		
	24V/30W	24V/75W	24V/200W
MNR1 40K-24V	23	57	123
MNR4 40K-24V	6	15	40
MNR8 40K-24V	3	9	20

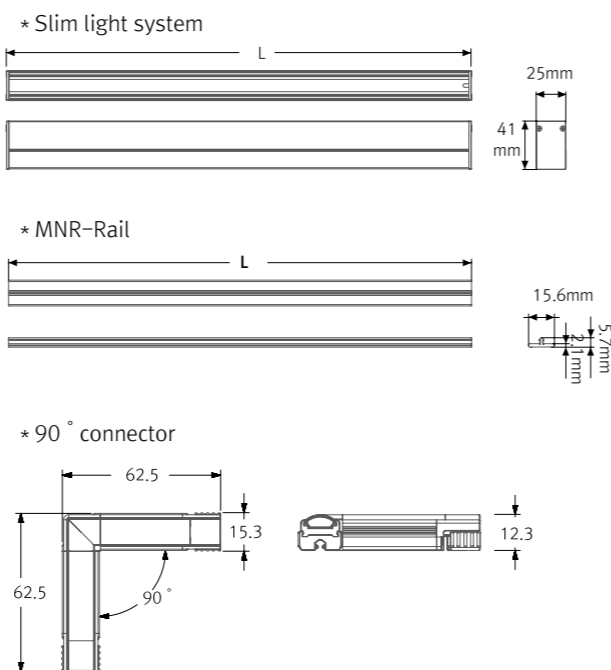
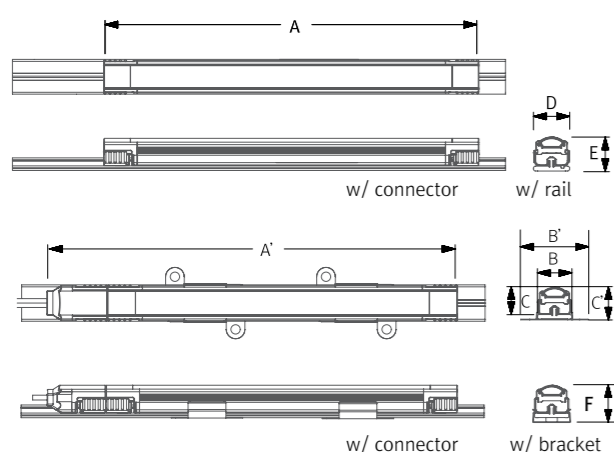


### Specification

Model Name	Power Input	Lamp Power	Luminous Flux	Efficiency	Color Rendering	Available Color	Operating Temperature
MNR1 40K-24V	DC24V	1W	90 lm	90 lm/W	Ra > 85	2,700K/3,000K/3,500K/4,000K/6,000K	0-45°C
MNR4 40K-24V	DC24V	4W	360 lm	90 lm/W	Ra > 85	2,700K/3,000K/3,500K/4,000K/6,000K	0-45°C
MNR8 40K-24V	DC24V	8W	720 lm	90 lm/W	Ra > 85	2,700K/3,000K/3,500K/4,000K/6,000K	0-45°C

### Dimension

Model Name	Power Input (V)	Lamp Power (W)	A (mm)	A' (mm)	B (mm)	B' (mm)	C (mm)	C' (mm)	D (mm)	E (mm)	F (mm)
MNR1 40K-24V	DC24	1.3	95	121	15.3	30.6	12.3	14.9	15.6	14.6	17
MNR4 40K-24V	DC24	4	286	312	15.3	30.6	12.3	14.9	15.6	14.6	17
MNR8 40K-24V	DC24	8	572	598	15.3	30.6	12.3	14.9	15.6	14.6	17



### Accessories

		<b>(a) Power supply track : MNR-Rail (20m)</b> Power supply track in Roll without adhesive Color : White, Gray, Black
		<b>(b) Power supply track : MNR-Rail (1.2m)</b> Power supply track with adhesive tape Color : White, Gray, Black  <b>(c) Adhesive tape</b> Adhesive tape for MNR-Rail (16.5 m)  <b>(d) Power supply cable to the MNR-Rail : MNRPC (2500mm)</b> 120W in one row (w/ terminal block) 180W in one row (w/o terminal block)

⑨ Connecting cable between MNR-Rail				
MNRPTC	MNRPTC1	MNRPTC2	MNRPTC4	MNRPTC6
150mm(6inch)	300mm(1feet)	600mm(1feet)	1200mm(4feet)	1800mm(6feet)

⑩ Connecting cable between MNR-Rail and FLX Stix NDV : MNRPTC-NDV	
MNRPTC-NDV1	MNRPTC-NDV2
300mm(1feet)	600mm(2feet)

50W in one row

⑪ Connecting cable between MNR-Rail and FLX Stix HDV&DDV : MNRPTC-HDV	
MNRPTC-HDV1	MNRPTC-HDV2
300mm(1feet)	600mm(2feet)

50W in one row

⑫ Connecting cable between MNR-Rail and FLX Spot DVS : MNRPTC-DVS	
MNRPTC-DVS1	MNRPTC-DVS2
300mm(1feet)	600mm(2feet)

50W in one row

⑬ Sidefeed for seamless extension(1W) : MNR1 40K-24V-S  
120W in one row

⑭ 90° connector : MNR1 40K-24V-90  
MonoRail90° connector (1W)  
120W in one row

⑮ LED Driver with 12way distributor, with power cord (1,800mm)			
Part No	FLC15-24V/T	FLC30-24V/T	FLC75-24V/ T
Capacity	15W 24V	30W 24V	75W 24V

⑯ LED Driver : FLC200-24V/T (200W 24V)  
LED Driver With 12way distributor

⑰ MonoRail bracket : MNR-BRACKET (standard)

⑱ MonoRail bracket : MNR-BRACKET1 (optional)

⑲ Dimming Interface(0-10/1-10,DMX512)  
FDA-L2M0 : Max. 200W (100W/CH, 2CH)  
FDA-L5M : Max. 200W (100W/CH, 5CH)

⑳ Dimming Interface (1-10V) : FDC-L10  
Max. 100W (100W/CH, 1CH)

㉑ Slim light system (1.2M) : SLS-EXT

㉒ MNR-Rail extrusion line (1.2m)		Without MNR-Rail
Silver		Black
MNR-EXL-SV		MNR-EXL-BK

㉓ MNR-Rail extrusion corner (1.2m)		Without MNR-Rail
Silver		Black
MNR-EXC-SV		MNR-EXC-BK

㉔ MNR-Rail extrusion pole (300mm)		With MNR-Rail
Silver		Black
MNR-EXP-SV		MNR-EXP-BK

㉕ End Cap : MNR-CAP

㉖ MNR-Rail protection cover : MNR-Rail cover

